

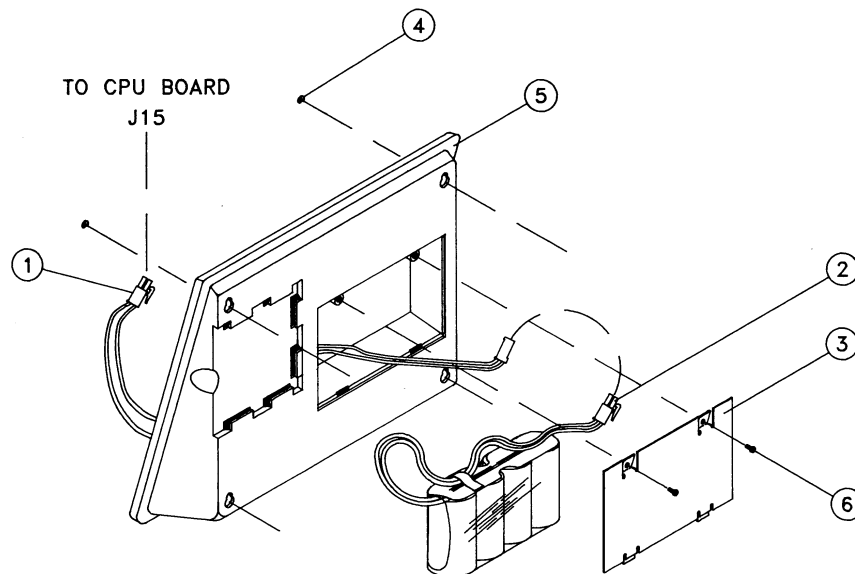
Raleigh Time Recorder Company
2252 Rumson Road Raleigh, NC 27610-1039
919-833-6893 FAX 828-7349
www.raleightime.com

From the OmniChron Owner's Manual:

Replace the battery whenever it does not hold a charge. For uninterrupted service, replace the battery every two (2) years. Print registration records and clock parameters before replacing the battery as a precaution against loss of data.

NOTE: To prevent memory loss, the battery can be changed with AC power connected. Be careful not to short the circuit board or the battery with the screwdriver.

1. Using a phillips head screwdriver, remove the two screws holding the battery compartment cover in place. Retain the screws.
2. Disconnect battery connector and remove old battery.
3. Connect new battery and place into battery compartment.
4. Replace battery compartment cover and secure with the two phillips head screws.
5. Reinstall the unit as necessary.



MOUNTING BASE/BATTERY COMPARTMENT
ASSEMBLY